

-  Clean water
-  Domestic use
-  Civil use
-  Industrial use



PERFORMANCE RANGE

- Flow rate up to **160 l/min** (9.6 m³/h)
- Head up to **97 m**

INSTALLATION AND USE

JSW self-priming pumps are designed to draw water and liquids that contain air.

They are reliable and easy to operate. They are a favorite for domestic use, particularly effective for water distribution with small to medium-sized pressure tanks and suitable for irrigation.

APPLICATION LIMITS

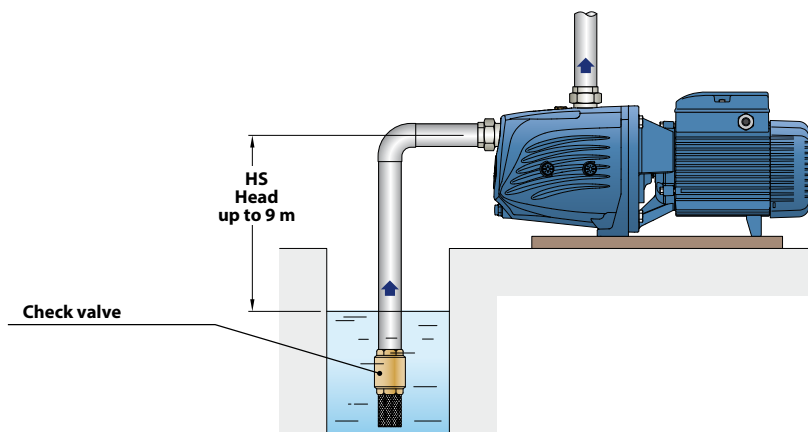
- Manometric suction head up to **9 m** (HS)
- Liquid temperature between **-10 °C** and **+40 °C**
- Ambient temperature up to **+40 °C**
- Maximum working pressure **10 bar**

AVAILABLE UPON REQUEST

- ✗ IPX5 protection
- ✗ Different voltage or frequency

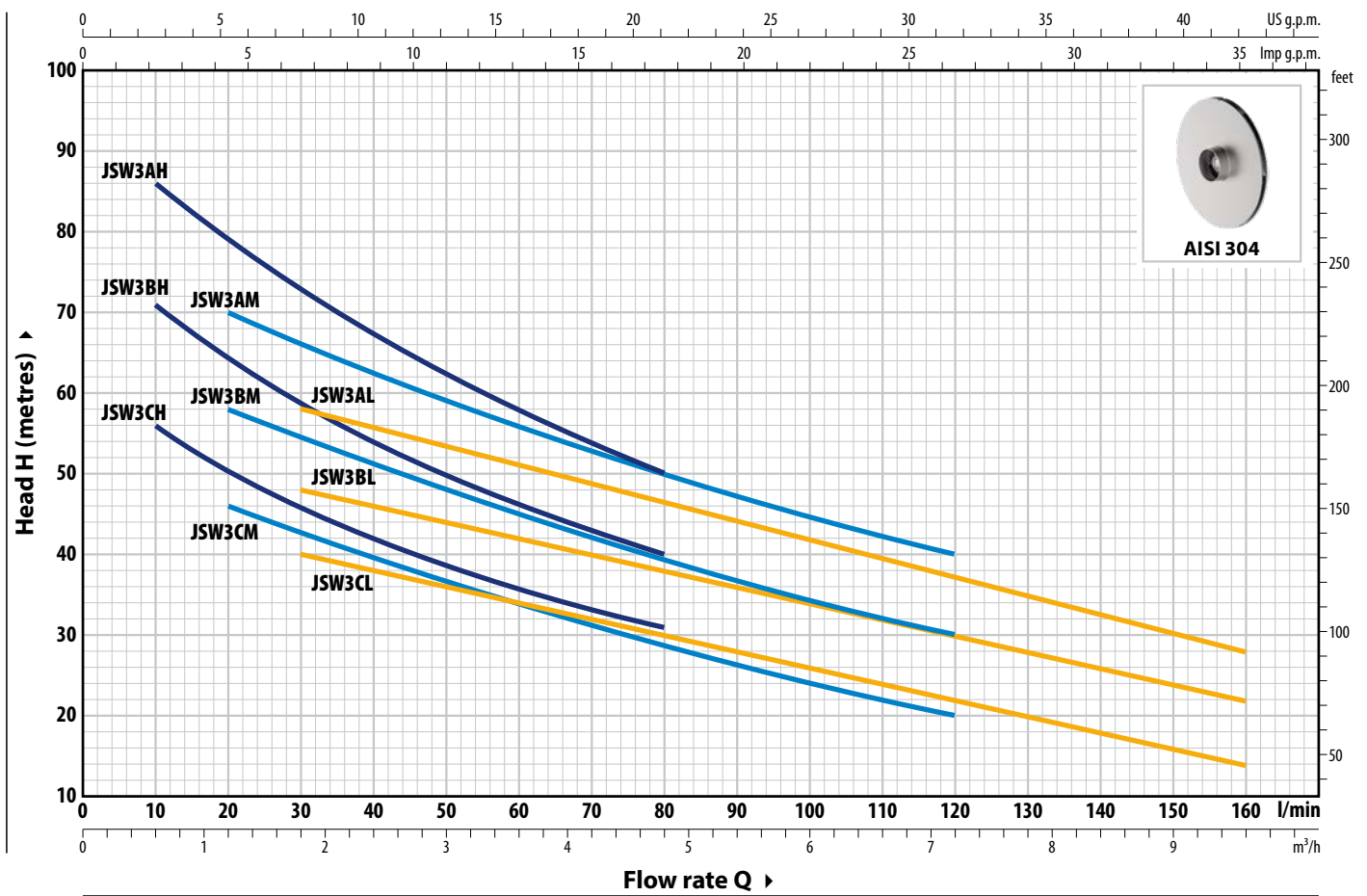
PATENTS - TRADE MARKS - MODELS

- JSW®Registered trademark No. 013073135
- Registered Community Model No. 002218610



CURVES AND PERFORMANCE DATA – HS=0 m

60 Hz



TYPE		POWER (P ₂)		3~	Q	m ³ /h															
Single-ph.	Three-ph.	kW	HP			0	0.6	1.2	1.8	2.4	3.0	3.6	4.2	4.8	6.0	7.2	8.4	9.6			
					l/min	0	10	20	30	40	50	60	70	80	100	120	140	160			
JSWm 3CH	JSW 3CH	1.1	1.5	IE3	H m	64	56	50.5	46	42	38.5	36	33	31							
JSWm 3BH	JSW 3BH	1.5	2			79	71	64	59	54	50	46	43	40							
JSWm 3AH	JSW 3AH	2.2	3			95	86	79	73	66.5	62.5	58	54	50							
JSWm 3CM	JSW 3CM	1.1	1.5			54	–	46	43	39.5	36.5	34	31	28.5	24	20					
JSWm 3BM	JSW 3BM	1.5	2			66	–	58	54.5	51	48	45	42	39	34	30					
JSWm 3AM	JSW 3AM	2.2	3			78	–	70	66	62	59	56	53	50	45	40					
JSWm 3CL	JSW 3CL	1.1	1.5			47	–	–	40	38	36	34	32	30	26	22	18	14			
JSWm 3BL	JSW 3BL	1.5	2			55	–	–	48	46	44	42	40	38	34	30	26	22			
JSWm 3AL	JSW 3AL	2.2	3			65	–	–	58	56	53.5	51	48.5	46.5	42	37	32.5	28			

Q = Flow rate H = Total manometric head HS = Suction height

Performance curves comply with EN ISO 9906 Grade 3B tolerance limits.

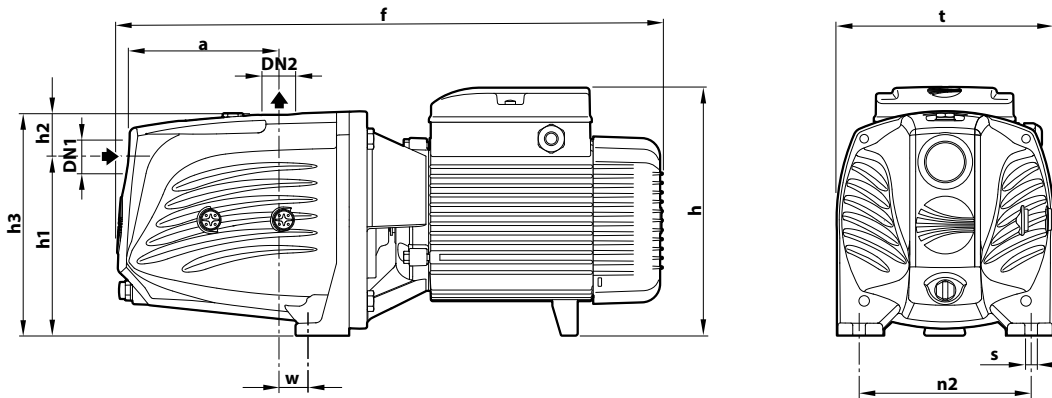
JSW3

ABSORPTION

TYPE	VOLTAGE
Single-phase	220 V
JSWm 3CH	8.2 A
JSWm 3BH	10.4 A
JSWm 3AH	12.8 A
JSWm 3CM	8.2 A
JSWm 3BM	10.4 A
JSWm 3AM	12.8 A
JSWm 3CL	8.2 A
JSWm 3BL	10.4 A
JSWm 3AL	12.8 A

TYPE	VOLTAGE	
	220 V - Δ	380 V - Y
JSW 3CH	6.5 A	3.8 A
JSW 3BH	6.9 A	4.0 A
JSW 3AH	8.8 A	5.1 A
JSW 3CM	6.5 A	3.8 A
JSW 3BM	7.1 A	4.1 A
JSW 3AM	8.8 A	5.1 A
JSW 3CL	6.5 A	3.8 A
JSW 3BL	7.1 A	4.1 A
JSW 3AL	8.8 A	5.1 A

DIMENSIONS AND WEIGHT



TYPE		PORTS		DIMENSIONS mm										kg	
Single-phase	Three-phase	DN1	DN2	a	f	h	h1	h2	h3	t	n2	w	s	1~	3~
JSWm 3CH	JSW 3CH	1 1/4"	1"	143	522	240	165	39	204	206	164	30	11	24.5	24.4
JSWm 3BH	JSW 3BH				25.6									25.7	
JSWm 3AH	JSW 3AH				28.4									28.4	
JSWm 3CM	JSW 3CM				24.6									24.4	
JSWm 3BM	JSW 3BM				25.7									25.7	
JSWm 3AM	JSW 3AM				28.4									28.4	
JSWm 3CL	JSW 3CL				24.5									24.4	
JSWm 3BL	JSW 3BL				25.8									25.7	
JSWm 3AL	JSW 3AL				28.4									28.4	

PALLET CAPACITY

TYPE		CONTAINER	GROUPAGE
Single-phase	Three-phase	n. pumps	n. pumps
JSWm 3CH	JSW 3CH	35	49
JSWm 3BH	JSW 3BH	35	49
JSWm 3AH	JSW 3AH	35	49
JSWm 3CM	JSW 3CM	35	49
JSWm 3BM	JSW 3BM	35	49
JSWm 3AM	JSW 3AM	35	49
JSWm 3CL	JSW 3CL	35	49
JSWm 3BL	JSW 3BL	35	49
JSWm 3AL	JSW 3AL	35	49

MATERIALS AND COMPONENTS

1 Pump body	Cast iron with cathaphoresis treatment, provided with ISO 228/1 threaded ports		
2 Cover	Cast iron with cathaphoresis treatment		
3 Ejector unit	Noryl™		
4 Impeller	Stainless steel AISI 304		
5 Mechanical seal	Seal	Shaft	Materials
	FN-18	Ø 18 mm	Graphite / Ceramic / NBR
6 Motor shaft	Stainless steel AISI 431		
7 Electric motor	<p>JSWm: single-phase 220 V - 60 Hz with winding integrated thermal motor protection</p> <p>JSW: three-phase 220/380 V - 60 Hz</p> <ul style="list-style-type: none"> - The three-phase pumps are fitted with high performance motors in class IE3 (IEC 60034-30-1) - Continuous running duty S1 - Insulation: CLASS F - Protection rating: IP X4 		

